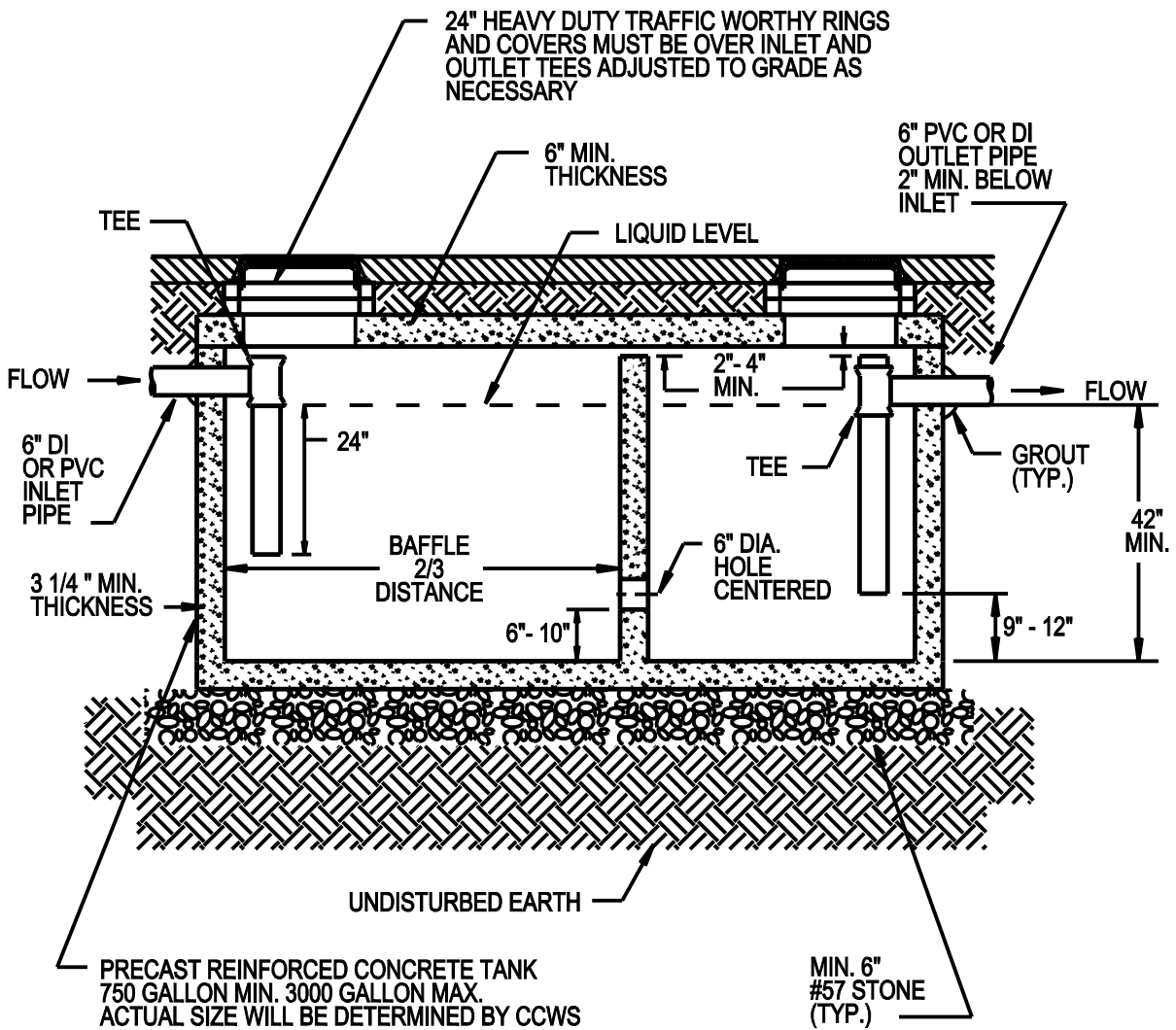


DETAIL 03410-20 COBB COUNTY WATER SYSTEM GREASE TRAP

SEPTEMBER 22, 2008

AGENCY DIRECTOR



NOTES:

1. FOR NON-FOOD PREP DUMPSTER PADS ONLY :
300 GALLON MINIMUM SIZE AND 4" MINIMUM PIPE SIZE.
ONLY 1 MANHOLE REQUIRED AND NO BAFFLE REQUIRED.
2. INSPECTION BY WATER SYSTEM REQUIRED BEFORE COVERING